

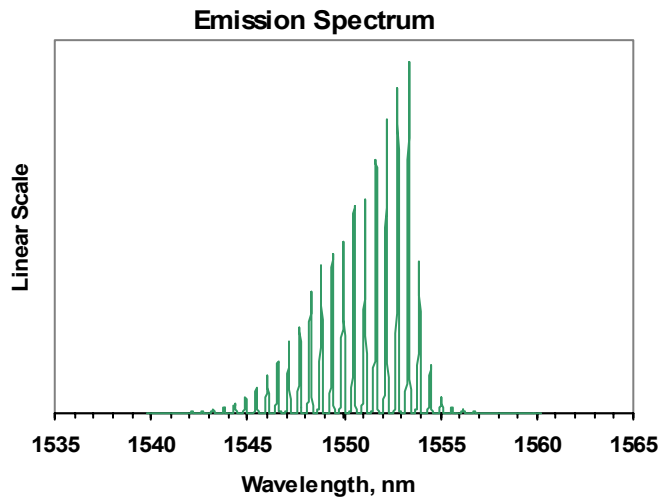
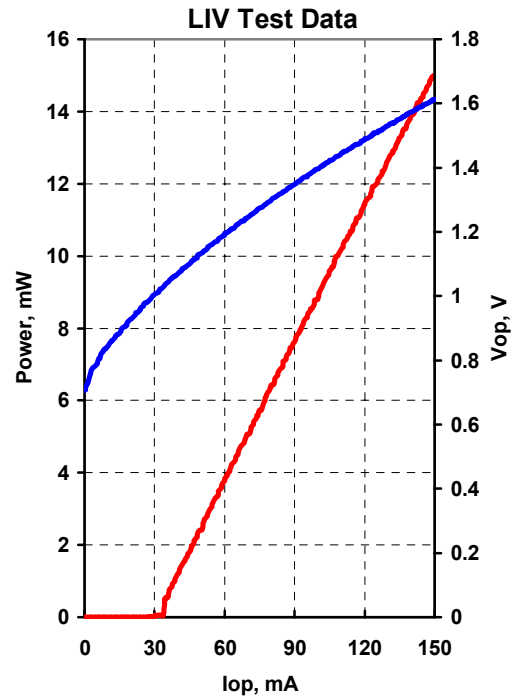


QPHOTONICS, LLC

1435 Crossways Blvd Phone: 757-213-0560
 Ste: 101 FAX: 757-213-0563
 Chesapeake, VA 23320 E-mail: info@qphotonics.com
 USA http://www.qphotonics.com

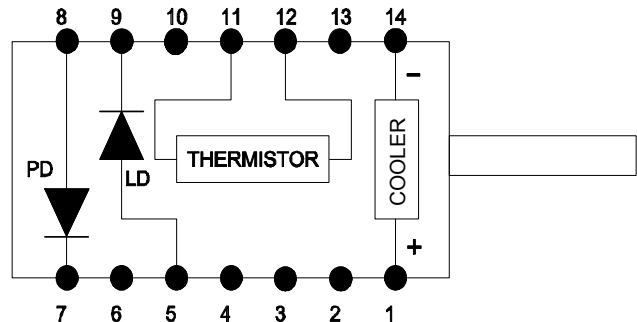
MODEL	QFLD-1550-10S
PART NUMBER	SAMPLE

Parameter	Value	Units
Internal Temperature	25	°C
Thermistor Resistance	10.0	kΩ
Optical Output Power	10	mW
Threshold Current	38	mA
Operating Current	110	mA
Operating Voltage	1.44	V
Monitor Current	0.39	mA
Monitor Dark Current	0	nA
Center Wavelength	1551	nm
Spectral Width	2.88	nm



Fiber Type	SMF-28
NA	0.13
Connector	FC/PC

Pin	Connection
1	TE Cooler (+)
5	LD Anode (+)
7	PD Cathode (+)
8	PD Anode (-)
9	LD Cathode (-)
11	Thermistor
12	Thermistor
14	TE Cooler (-)



Operator	HS
Date	8/6/2004